

PARTS LIST

[MX-G68V]
[MX-G65V]

* All printed circuit boards and its assemblies are not available as service parts.

Area suffix

US ----- Singapore
UX ----- Saudi Arabia

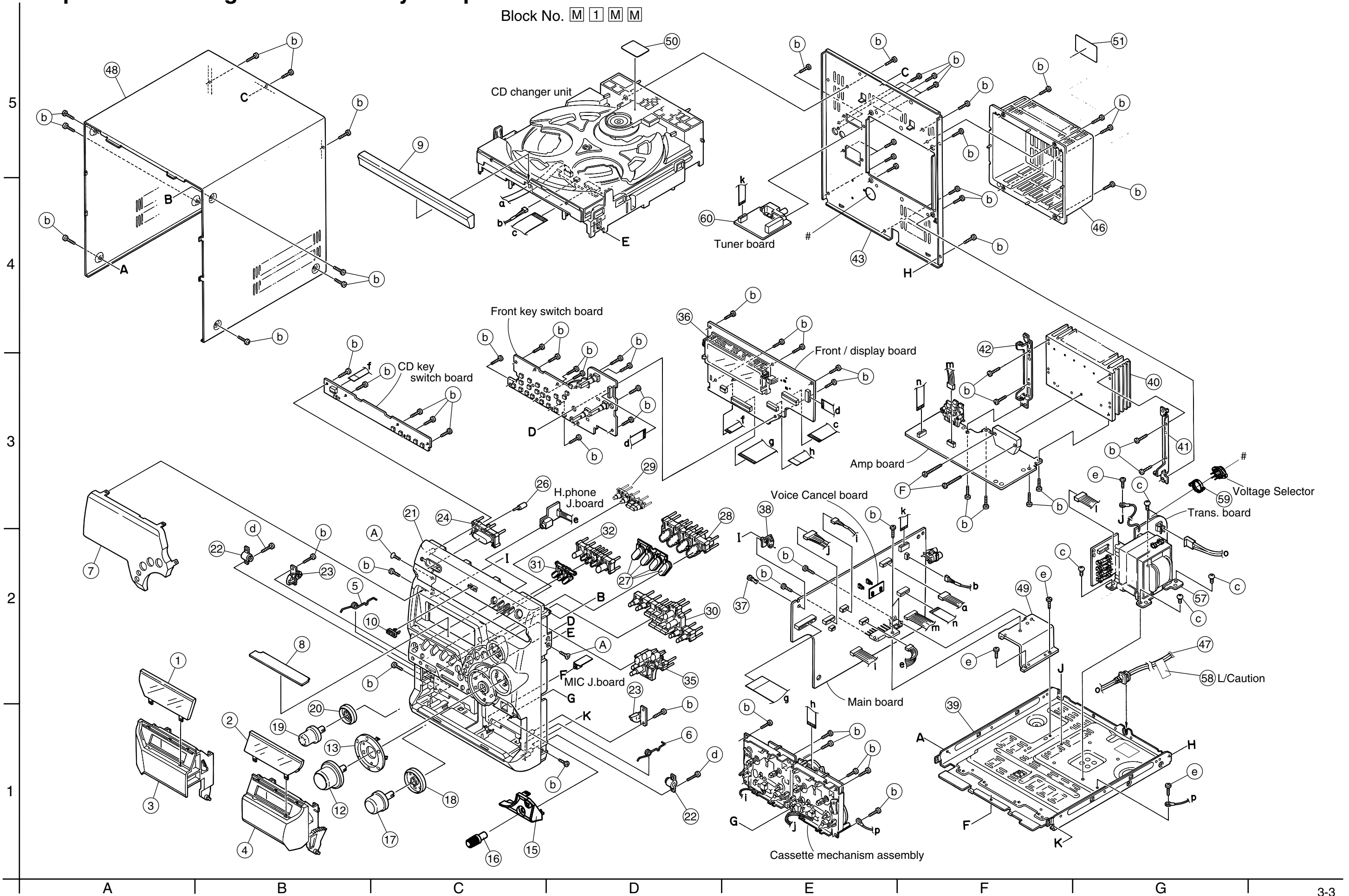
- Contents -

Exploded view of general assembly and parts list (Block No.M1)	3- 3
CD changer mechanism assembly and parts list (Block No.MA)	3- 5
CD mechanism assembly and parts list (Block No.MB)	3- 7
Cassette mechanism assembly and parts list (Block No.MP)	3- 8
Electrical parts list (Block No.01~05)	3-10
Packing materials and accessories parts list (Block No.M3,M5)	3-22

< MEMO >

Exploded view of general assembly and parts list

Block No. **M 1 M M**



■ Parts list (General assembly)

Block No. M1MM

△	Item	Parts number	Parts name	Q'ty	Description	Area
	A	6002-000126	SCREW	2	FH M3*10 BLK	
	B	6003-000276	SCREW	78	BH M3*10 YEL	
	C	AH60-10107A	SCREW	4	M4*6 YEL	
	D	6003-000277	SCREW	2	BH M3*12 YEL	
	E	6002-000398	SCREW	3	BH M3*6 YEL	
	F	6003-000278	SCREW	4		
	1	AH64-01141A	DOOR WINDOW	1	A	
	2	AH64-01142A	DOOR WINDOW	1	B	
	3	AH64-01128D	CASSETTE DOOR	1	A MX-G68V	
		AH64-01128B	CASSETTE DOOR	1	A MX-G65V	
	4	AH64-01129D	CASSETTE DOOR	1	B MX-G68V	
		AH64-01129B	CASSETTE DOOR	1	B MX-G65V	
	5	AH61-00552A	DOOR SPRING	1	A	
	6	AH61-00553A	DOOR SPRING	1	B	
	7	AH64-01140L	VFD WINDOW	1	MX-G68V	
		AH64-01140K	VFD WINDOW	1	MX-G65V	
	8	AH63-00252A	VFD SHEET	1		
	9	AH64-01126B	TRAY DOOR	1		
	10	AH64-00462B	JVC MARK	1		
	12	AH64-01135B	VOLUME KNOB	1		
	13	AH61-00659B	VOLUME CAP	1		
	15	AH61-00657C	MIC CAP	1	MX-G68V	
		AH61-00657B	MIC CAP	1	MX-G65V	
	16	AJ64-01136B	MIC KNOB VOL	1		
	17	AH64-01134B	WOOFER KNOB	1		
	18	AH67-00105A	WOOFER LENS	1		
	19	AH64-01133B	S/MODE KNOB	1		
	20	AH67-00104A	S/MODE LENS	1		
	21	AH64-01123J	FRONT CABINET	1	MX-G65V	
		AH64-01123Q	FRONT CABINET	1	MX-G68V	
	22	AH61-80030A	DAMPER	2	ASSY	
	23	AH95-50001A	LATCH	2	ASSY	
	24	AH64-01130B	POWER KNOB	1		
	26	AH67-00106A	POWER LENS	1		
	27	AH67-00103B	FUNCTION LENS	1		
	28	AH61-00661A	FUNCTION HOLDER	1		
	29	AH64-01139B	RDS KNOB	1		
	30	AH64-01138B	MAIN KNOB	1		
	31	AH67-00102B	CD LENS	1		
	32	AH64-01132B	DISC KNOB	1		
	35	AH64-01137B	STOP KNOB	1		
	36	AH61-00662A	VFD HOLDER	1		
	37	AH61-40014A	RIVET SUPPORT	1		
	38	AH61-00021B	PCB SUPPORT	1		
	39	AH64-30416C	BOTTOM CABINET	1		
	40	AH62-00043B	HEAT SINK	1		
	41	AH61-00655A	H/SINK BRKT	1	L	
	42	AH61-00656A	H/SINK BRKT	1	R	

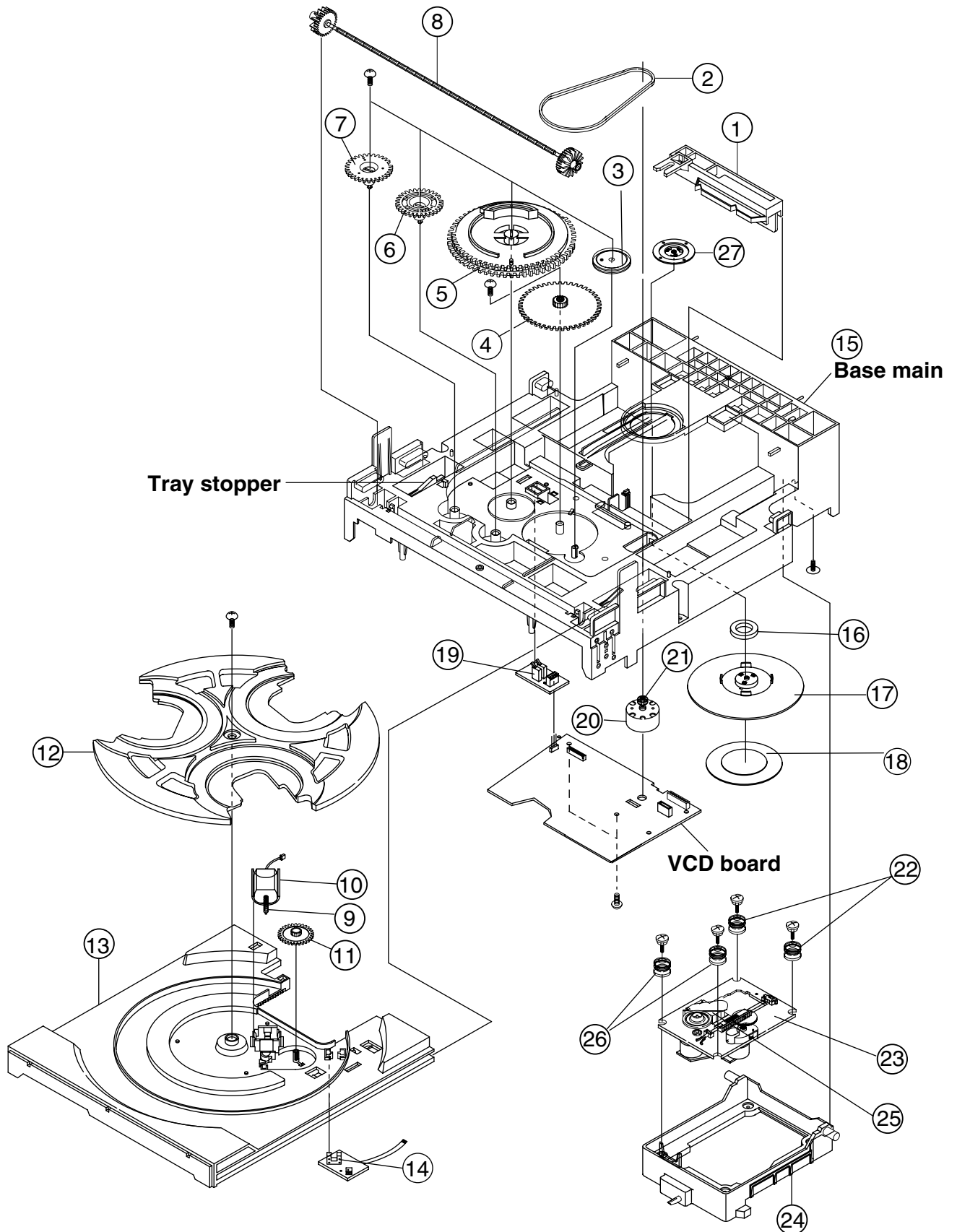
■ Parts list (General assembly)

Block No. M1MM

△	Item	Parts number	Parts name	Q'ty	Description	Area
	43	AH64-01125J	REAR CABINET	1		
	46	AH63-00250A	REAR COVER	1		
△	47	AH39-00257G	POWER CORD	1		
	48	AH64-30390F	TOP CABINET	1	MX-G65V	
		AH64-30390G	TOP CABINET	1	MX-G68V	
	49	AH62-00042A	HEAT SINK	1	4959	
	50	AH68-50275D	CD STICKER	1		
	51	AH68-00897E	RATING LABEL	1	MX-G68V	US
		AH68-00897F	RATING LABEL	1	MX-G68V	UX
		AH68-00897C	RATING LABEL	1	MX-G65V	US
		AH68-00897D	RATING LABEL	1	MX-G65V	UX
△	57	AH26-00104A	POWER TRANS	1		
	58	AH68-50282K	CAUTION LABEL	1		
	59	AH61-00721A	HOLDER	1		
	60	AH40-00011A	TUNER BLOCK	1		

CD changer mechanism assembly and parts list

Block No. M A M M



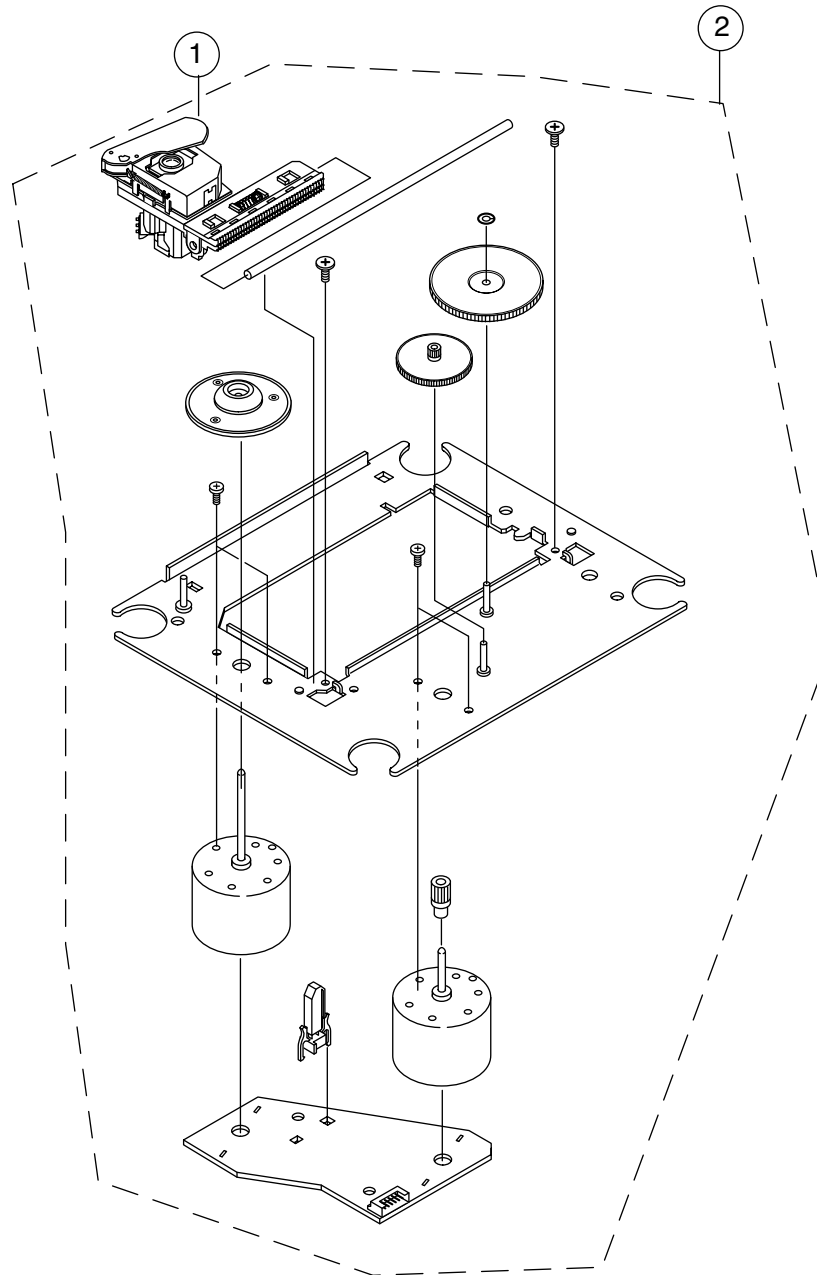
Parts list (CD changer mechanism)

Block No. MAMM

△	Item	Parts number	Parts name	Q'ty	Description	Area
	1	AH66-80022A	SLIDE CAM	1	ABS HF-380 NTR	
	2	AH66-60034A	BELT LOAD	1	CR	
	3	AH66-20186A	GEAR PULLEY	1	POM (M90-44)WHT	
	4	AH66-20187A	GEAR-LOAD	1	POM (M90-44)BLK	
	5	AH66-20188A	GEAR-CAM	1	POM(M90-44)WHT	
	6	AH66-20189A	GEAR-TRAY	1	POM(M90-44)BLK	
	7	AH66-20190A	GEAR-CONVERTOR	1	POM (M90-44) WH	
	8	AH66-20191A	GEAR-SYNCR0	1	ABS HF-380 NTR	
	9	AH66-20192A	GEAR-WORM	1	POM (M90-44)WHT	
	10	AH31-12001A	LOADING MOTOR	1	FF-030PN-09120	
	11	AH66-20193A	GEAR-ROULETTE	1	POM(M90-44)BLK	
	12	AH66-90056A	TRAY-ROULETTE	1	ABS XR-401 BLK	
	13	AH66-90055A	TRAY DISC	1	ABS XR-401 BLK	
	14	AH32-10001F	SENSOR	1	KPI-L06	
	15	AH61-20428A-1	BASE MAIN	1		
	16	3302-000159	MAGNET-FERRITE	1		
	17	AH66-90053A	TABTE-CHUCK UNI	1		
	18	AH63-00068B	SHEET CHUCK	1		
	19	3404-000101	SWICH MICRO	1	MLS-24	
	20	AH31-10021A	DC MORTOR	1		
	21	AH66-10008A	PULLEY-MOTOR	1		
	22	AH73-10031A	RUBBER-CD	1		
	23	AH91-60150C	SP MOTOR ASS'Y	1	CMS-D73SG6U	
	24	AH66-30098A	LEVER-LIFTER	1		
	25	AH30-00007A	CD PICKUP	1	SOH-AD3	
	26	AH73-10034A	RUBBER-CD(G)	1		
	27	AH61-00255A	BRKT CHUCK	1	SECL 0.8T	


CD mechanism assembly and parts list

Block No. **M B M M**



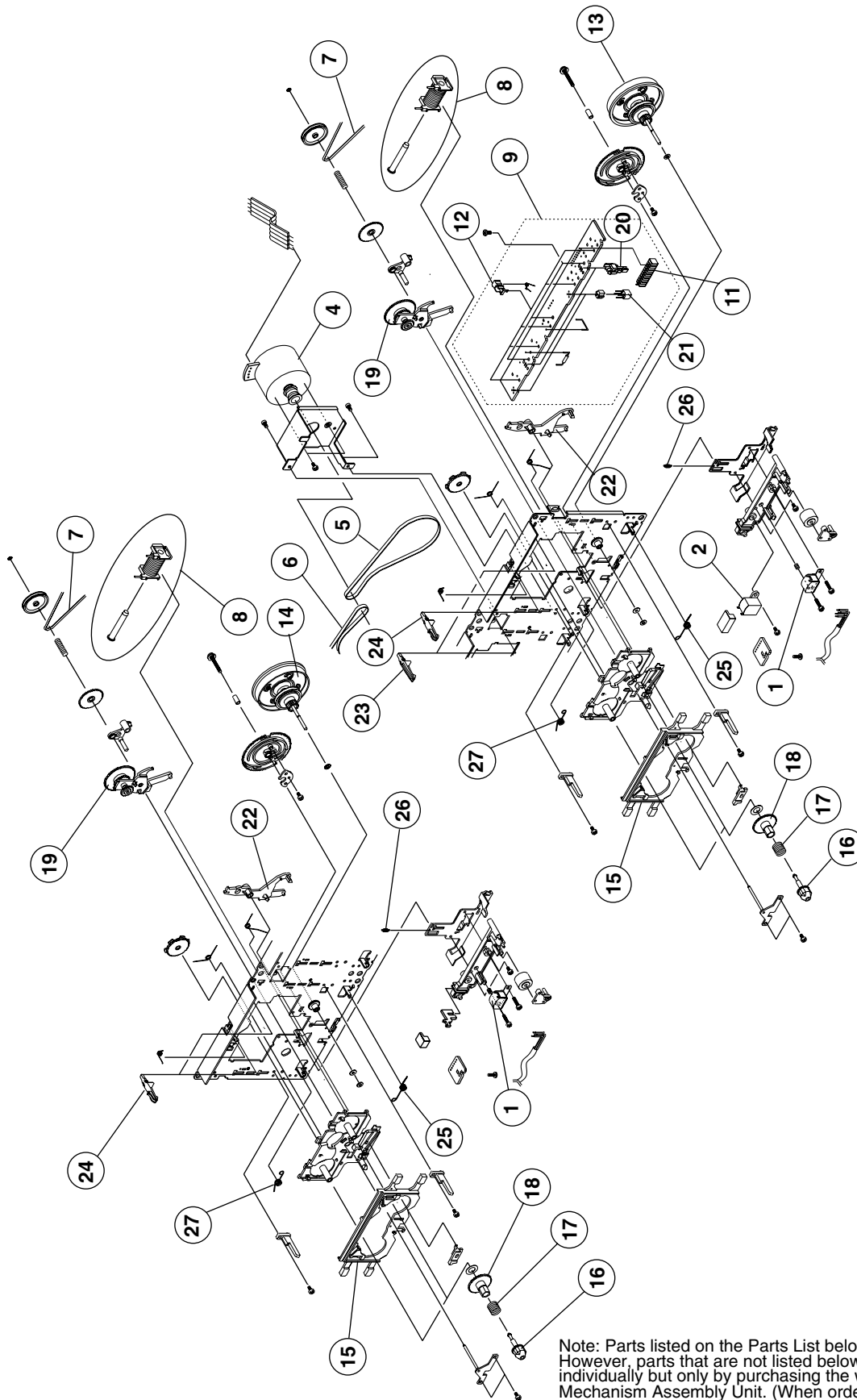
Parts list(CD mechanism)

Block No. **M2MM**

	Item	Parts number	Parts name	Q'ty	Description	Area
	1	AH30-00007A	OPTICAL PICK-UP	1	SOH-AD3	
	2	AH91-60150C	CDP-DECK ASS'Y	1	CMS-D73SG6U	

Cassette mechanism assembly and parts list

Block No. M P M M



Note: Parts listed on the Parts List below can be supplied. However, parts that are not listed below cannot be supplied individually but only by purchasing the whole Cassette Mechanism Assembly Unit. (When ordering, use the Parts No. AH59-00126A for Cassette Mechanism Assembly Unit.)

Parts list (Cassette mechanism)
Block No. MPMM

△	Item	Parts number	Parts name	Q'ty	Description	Area
	1	AH81-00472A	PB HEAD	2	TC881CB067P	
	2	AH81-00472B	E HEAD	1	TC2131	
	4	AH81-00472W	MOTOR ASS'Y	1	SHU2L61	
	5	AH81-00472C	MAIN BELT B	1	02-084-4204	
	6	AH81-00472D	MAIN BELT A	1	02-084-4202	
	7	AH81-00472X	FR BELT	2	02-083-4188	
	8	AH81-00474A	SOLENOID	2	50-093-4145	
	9	AH81-00472Y	PCB ASS'Y	1	50-093-4558	
	11	AH81-00473A	HOUSING	1	16FESTVKN	
	12	AH81-00473D	BOX SWITCH	5	50-219-4028	
	13	AH81-00472K	FLYWHEEL B	1	50-093-3441	
	14	AH81-00472H	FLYWHEEL A	1	50-093-3440	
	15	AH81-00472R	BRAKE LEVER	2	50-259-3246	
	16	AH81-00472P	REEL F CAP	4	50-228-4020	
	17	AH81-00473F	DESK SPRING 02	4	01-081-4601	
	18	AH81-00472Q	REEL DESK GEAR	4	50-222-4245	
	19	AH81-00472V	CLUTCH ASS'Y	2	50-093-4503	
	20	AH81-00473B	MODE SWITCH	4	MSW17220MVQ1	

■ Electrical parts list (Main board)

Block No. 01

△	Item	Parts number	Parts name	Remarks	Area	△	Item	Parts number	Parts name	Remarks	Area
	AUX	3722-000377	RCA JACK				FC2L	2401-001912	E.CAPACITOR		
	EC 1	2202-000148	C.CAPACITOR				FC2R	2401-001912	E.CAPACITOR		
	EC 2	2202-000817	C.CAPACITOR				FC251	2401-001912	E.CAPACITOR		
	EC 3	2401-002180	E.CAPACITOR				FC252	2401-001912	E.CAPACITOR		
	EC 4	2401-002180	E.CAPACITOR				FC253	2401-001912	E.CAPACITOR		
	EC 5	2202-000797	C.CAPACITOR				FC3L	2401-001912	E.CAPACITOR		
	EC 6	2202-000809	C.CAPACITOR				FC3R	2401-001912	E.CAPACITOR		
	EC 7	2202-000797	C.CAPACITOR				FC4L	2401-001912	E.CAPACITOR		
	EC 8	2401-001889	E.CAPACITOR				FC4R	2401-001912	E.CAPACITOR		
	EC 9	2401-000907	E.CAPACITOR				FC5L	2401-001912	E.CAPACITOR		
	EC 10	2401-001465	E.CAPACITOR				FC6L	2401-002180	E.CAPACITOR		
	EC 11	2202-000854	C.CAPACITOR				FC6R	2401-002180	E.CAPACITOR		
	EC 12	2202-000797	C.CAPACITOR				FC7L	2401-001912	E.CAPACITOR		
	EC 15	2202-000797	C.CAPACITOR				FC7R	2401-001912	E.CAPACITOR		
	ECW 1	3711-001062	CONNECTOR				FC8L	2301-000454	M.CAPACITOR		
	ED 1	0401-000101	DIODE				FC8R	2301-000454	M.CAPACITOR		
	ED 2	0401-000101	DIODE				FC9L	2301-000216	C-FLIM,PEF		
	EIC 1	1204-001730	IC				FC9R	2301-000216	C-FLIM,PEF		
	EQ 1	0501-000398	TRANSISTOR				FD 2	0401-000101	DIODE		
	EQ 2	0504-000118	DIGITAL TR				FD 3	0401-000101	DIODE		
	EQ 3	0504-000118	DIGITAL TR				FIC 1	1204-001776	IC		
	ER 2	2001-000522	CARBON RESISTOR				FIC 2	1201-000163	IC		
	ER 3	2001-000290	CARBON RESISTOR				FIC 4	1201-000163	IC		
	ER 4	2001-000977	CARBON RESISTOR				FQ 2	0504-001003	DIGITAL TR		
	ER 5	2001-000522	CARBON RESISTOR				FQ 4	0501-000398	TRANSISTOR		
	ER 6	2001-000563	CARBON RESISTOR				FQ1L	0504-000122	DIGITAL TR		
	ER 7	2001-000429	CARBON RESISTOR				FQ1R	0504-000122	DIGITAL TR		
	ER 8	2001-000734	CARBON RESISTOR				FQ151	0504-000144	DIGITAL TR		
	ER 9	2001-000008	CARBON RESISTOR				FQ152	0504-000118	DIGITAL TR		
	ER 10	2001-000290	CARBON RESISTOR				FR 9	2001-000027	CARBON RESISTOR		
	ER 11	2001-000734	CARBON RESISTOR				FR 18	2001-000515	CARBON RESISTOR		
	ER 12	2001-000563	CARBON RESISTOR				FR 20	2001-000515	CARBON RESISTOR		
	ER 13	2001-000290	CARBON RESISTOR				FR 21	2001-000864	CARBON RESISTOR		
	ER 14	2001-000319	CARBON RESISTOR				FR 22	2001-000864	CARBON RESISTOR		
	ER 15	2001-000563	CARBON RESISTOR				FR 23	2001-000773	CARBON RESISTOR		
	ER 16	2001-000034	CARBON RESISTOR				FR 24	2001-000290	CARBON RESISTOR		
	ER 25	2001-000786	CARBON RESISTOR				FR 25	2001-000429	CARBON RESISTOR		
	EZD 1	0403-000354	DIODE-ZENER				FR 26	2001-000850	CARBON RESISTOR		
	FC 9	2401-000419	E.CAPACITOR				FR 28	2001-000645	CARBON RESISTOR		
	FC 11	2401-001975	E.CAPACITOR				FR 51	2001-000515	CARBON RESISTOR		
	FC 17	2401-001954	E.CAPACITOR				FR 52	2001-000786	CARBON RESISTOR		
	FC 23	2401-000419	E.CAPACITOR				FR 53	2001-000515	CARBON RESISTOR		
	FC 31	2401-000759	E.CAPACITOR				FR 54	2001-000786	CARBON RESISTOR		
	FC 32	2401-001954	E.CAPACITOR				FR 55	2001-000890	CARBON RESISTOR		
	FC 35	2301-000361	M.CAPACITOR				FR 56	2001-000411	CARBON RESISTOR		
	FC 36	2301-000375	M.CAPACITOR				FR 57	2001-000273	CARBON RESISTOR		
	FC 50	2401-000419	E.CAPACITOR				FR 58	2001-000273	CARBON RESISTOR		
	FC 51	2202-000806	C.CAPACITOR				FR 59	2001-000411	CARBON RESISTOR		
	FC 52	2202-000806	C.CAPACITOR				FR 61	2001-000429	CARBON RESISTOR		
	FC 53	2401-001912	E.CAPACITOR				FR 62	2001-000429	CARBON RESISTOR		
	FC 54	2401-001912	E.CAPACITOR				FR 81	2001-000786	CARBON RESISTOR		
	FC 57	2401-001975	E.CAPACITOR				FR 82	2001-000591	CARBON RESISTOR		
	FCW 1	3708-000122	CONNECTOR				FR1L	2001-000411	CARBON RESISTOR		
	FCW 2	3708-001094	CONNECTOR				FR1R	2001-000411	CARBON RESISTOR		
	FCW 3	3708-000258	CONNECTOR	30P 1.25MM52045			FR10L	2001-000429	CARBON RESISTOR		
	FC1L	2201-000368	C.CAPACITOR				FR10R	2001-000429	CARBON RESISTOR		
	FC1R	2201-000368	C.CAPACITOR				FR11L	2001-000429	CARBON RESISTOR		
	FC10L	2301-000216	C-FLIM,PEF				FR11R	2001-000429	CARBON RESISTOR		
	FC10R	2301-000216	C-FLIM,PEF				FR12L	2001-000241	CARBON RESISTOR		
	FC12L	2202-000781	C.CAPACITOR				FR12R	2001-000241	CARBON RESISTOR		
	FC12R	2202-000781	C.CAPACITOR				FR13L	2001-000734	CARBON RESISTOR		
	FC13L	2202-000806	C.CAPACITOR				FR13R	2001-000734	CARBON RESISTOR		
	FC13R	2201-000368	C.CAPACITOR				FR15L	2001-000591	CARBON RESISTOR		

■ Electrical parts list (Main board)

Block No. 01

△	Item	Parts number	Parts name	Remarks	Area	△	Item	Parts number	Parts name	Remarks	Area
	FR15R	2001-000591	CARBON RESISTOR				JC1R	2301-000370	M.CAPACITOR		
	FR2L	2001-000411	CARBON RESISTOR				JC10L	2201-000368	C.CAPACITOR		
	FR2R	2001-000411	CARBON RESISTOR				JC10R	2201-000368	C.CAPACITOR		
	FR200	2001-000273	CARBON RESISTOR				JC12R	2401-000419	E.CAPACITOR		
	FR201	2001-000273	CARBON RESISTOR				JC13L	2401-002180	E.CAPACITOR		
	FR251	2001-000591	CARBON RESISTOR				JC13R	2401-002180	E.CAPACITOR		
	FR252	2001-000786	CARBON RESISTOR				JC14L	2401-001465	E.CAPACITOR		
	FR253	2001-000290	CARBON RESISTOR				JC14R	2401-001465	E.CAPACITOR		
	FR27L	2001-000786	CARBON RESISTOR				JC15L	2401-002180	E.CAPACITOR		
	FR27R	2001-000786	CARBON RESISTOR				JC15R	2401-002180	E.CAPACITOR		
	FR4L	2001-000924	CARBON RESISTOR				JC151	2401-001912	E.CAPACITOR		
	FR4R	2001-000924	CARBON RESISTOR				JC16L	2201-000368	C.CAPACITOR		
	FR5L	2001-000864	CARBON RESISTOR				JC16R	2201-000368	C.CAPACITOR		
	FR5R	2001-000864	CARBON RESISTOR				JC17L	2301-000413	M.CAPACITOR		
	FR6L	2001-000977	CARBON RESISTOR				JC17R	2301-000413	M.CAPACITOR		
	FR6R	2001-000977	CARBON RESISTOR				JC19L	2301-000462	C-FILM,PEF		
	FR8L	2001-000802	CARBON RESISTOR				JC19R	2301-000462	C-FILM,PEF		
	FR8R	2001-000802	CARBON RESISTOR				JC20L	2401-000419	E.CAPACITOR		
	FZD 1	0403-000372	ZENER DIODE				JC21L	2401-000419	E.CAPACITOR		
	HC 1	2401-000795	E.CAPACITOR				JC21R	2401-000419	E.CAPACITOR		
	HC 2	2401-000795	E.CAPACITOR				JC22L	2301-000407	M.CAPACITOR		
	HCW 2	AH39-00247A	LEAD CONNECTOR				JC22R	2301-000407	M.CAPACITOR		
	HCW 3	3711-001062	CONNECTOR				JC23L	2201-000674	C.CAPACITOR		
	HC1L	2401-001912	E.CAPACITOR				JC23R	2201-000674	C.CAPACITOR		
	HC1R	2401-001912	E.CAPACITOR				JC24L	2301-000370	M.CAPACITOR		
	HC2L	2401-001465	E.CAPACITOR				JC24R	2301-000370	M.CAPACITOR		
	HC2R	2401-001465	E.CAPACITOR				JC3L	2401-001465	E.CAPACITOR		
	HC3L	2201-000642	C.CAPACITOR				JC3R	2401-001465	E.CAPACITOR		
	HC3R	2201-000642	C.CAPACITOR				JC30L	2201-000368	C.CAPACITOR		
	HD 1	0401-000101	DIODE				JC30R	2201-000368	C.CAPACITOR		
	HIC 1	1201-000163	IC				JC300	2201-000499	C.CAPACITOR		
	HJK 1	3722-000351	PHONE JACK				JC4L	2301-000413	M.CAPACITOR		
	HQ1L	0501-000407	TRANSISTOR				JC4R	2301-000413	M.CAPACITOR		
	HQ1R	0501-000407	TRANSISTOR				JC5L	2401-001954	E.CAPACITOR		
	HR 1	2001-000028	CARBON RESISTOR				JC5R	2401-001954	E.CAPACITOR		
	HR 2	2001-000028	CARBON RESISTOR				JC8L	2301-000413	M.CAPACITOR		
	HR 10	2001-000008	CARBON RESISTOR				JC8R	2301-000413	M.CAPACITOR		
	HR1L	2001-000449	CARBON RESISTOR				JD 1	0401-000101	DIODE		
	HR1R	2001-000449	CARBON RESISTOR				JD 2	0401-000101	DIODE		
	HR2L	2001-000449	CARBON RESISTOR				JD 3	0401-000101	DIODE		
	HR2R	2001-000591	CARBON RESISTOR				JIC 1	1201-000358	IC	S1A0291*01-A0B0	
	HR3L	2001-000734	CARBON RESISTOR				JIC 2	1201-000163	IC		
	HR3R	2001-000734	CARBON RESISTOR				JL 1	2701-000298	INDUCTOR	AX470UH 04	
	HR4L	2001-000290	CARBON RESISTOR				JL 2	AH26-10003C	TRAP COIL	BIAS-TRAP	
	HR4R	2001-000290	CARBON RESISTOR				JLP1L	AH26-10002W	TRAP COIL	BIAS-TRAP	
	HR5L	2001-000019	CARBON RESISTOR				JLP1R	AH26-10002W	TRAP COIL	BIAS-TRAP	
	HR5R	2001-000019	CARBON RESISTOR				JL1L	AH27-10001D	CHOKE COIL		
	JC 7	2401-000419	E.CAPACITOR				JL1R	AH27-10001D	CHOKE COIL		
	JC 9	2401-000240	E.CAPACITOR				JQ 6	0504-001003	DIGITAL TR	300MW22KOHM	
	JC 10	2401-001954	E.CAPACITOR				JQ 8	0504-001003	DIGITAL TR		
	JC 11	2401-000795	E.CAPACITOR				JQ 10	0501-000398	TRANSISTOR		
	JC 26	2301-000404	M.CAPACITOR				JQ 14	0501-000610	TRANSISTOR		
	JC 27	2301-000404	M.CAPACITOR				JQ 15	0501-000369	TRANSISTOR		
	JC 28	2401-001975	E.CAPACITOR				JQ 16	0501-000398	TRANSISTOR		
	JC 29	2301-000407	M.CAPACITOR				JQ 51	0504-001003	DIGITAL TR		
	JC 31	2401-002180	E.CAPACITOR				JQ11L	0501-000407	TRANSISTOR		
	JC 35	2201-000601	C.CAPACITOR				JQ11R	0501-000407	TRANSISTOR		
	JC 37	2201-000601	C.CAPACITOR				JQ2L	0501-000010	TRANSISTOR		
	JC 51	2401-001938	E.CAPACITOR				JQ2R	0501-000010	TRANSISTOR		
	JCW 1	3711-003107	CONNECTOR				JQ3L	0501-000010	TRANSISTOR		
	JCW 2	3711-003111	CONNECTOR				JQ3R	0501-000010	TRANSISTOR		
	JCW 3	3711-003107	CONNECTOR				JQ4L	0501-000398	TRANSISTOR		
	JC1L	2301-000370	M.CAPACITOR				JQ4R	0501-000398	TRANSISTOR		

■ Electrical parts list (Main board)

Block No. 01

△	Item	Parts number	Parts name	Remarks	Area	△	Item	Parts number	Parts name	Remarks	Area
	JQ5L	0501-000407	TRANSISTOR				JR41R	2001-000008	CARBON RESISTOR		
	JQ5R	0501-000407	TRANSISTOR				JR42L	2001-000429	CARBON RESISTOR		
	JR 4	2001-000522	CARBON RESISTOR				JR42R	2001-000429	CARBON RESISTOR		
	JR 13	2001-000773	CARBON RESISTOR				JR5L	2001-000449	CARBON RESISTOR		
	JR 14	2001-000802	CARBON RESISTOR				JR5R	2001-000449	CARBON RESISTOR		
	JR 15	2001-000708	CARBON RESISTOR				JR6L	2001-000449	CARBON RESISTOR		
	JR 21	2001-000027	CARBON RESISTOR				JR6R	2001-000449	CARBON RESISTOR		
	JR 22	2001-000660	CARBON RESISTOR				JR7L	2001-000890	CARBON RESISTOR		
	JR 23	2001-000591	CARBON RESISTOR				JR7R	2001-000890	CARBON RESISTOR		
	JR 25	2001-000429	CARBON RESISTOR				JR9L	2001-000281	CARBON RESISTOR		
	JR 26	2001-000734	CARBON RESISTOR				JR9R	2001-000281	CARBON RESISTOR		
	JR 27	2001-000023	CARBON RESISTOR				JSR1L	2103-000492	VR-SEMI		
	JR 29	2001-000786	CARBON RESISTOR				JSR1R	2001-000591	CARBON RESISTOR		
	JR 30	2001-000591	CARBON RESISTOR				JSR2L	2103-000248	SEMI V RESISTOR		
	JR 31	2001-000734	CARBON RESISTOR				JSR2R	2103-000248	SEMI V RESISTOR		
	JR 32	2001-000456	CARBON RESISTOR				JW 64	2001-000003	CARBON RESISTOR		
	JR 33	2001-000290	CARBON RESISTOR				JW 66	2001-000003	CARBON RESISTOR		
	JR 38	2001-000890	CARBON RESISTOR				KCW 1	3711-001557	CONNECTOR		
	JR 39	2001-000290	CARBON RESISTOR				KCW 2	3711-001557	CONNECTOR		
	JR 40	2001-000290	CARBON RESISTOR				OC 1	2202-000807	C.CAPACITOR		
	JR 43	2001-000591	CARBON RESISTOR				OC 2	2201-000483	C.CAPACITOR		
	JR 44	2001-000522	CARBON RESISTOR				OC 3	2401-000240	E.CAPACITOR		
	JR 45	2001-000522	CARBON RESISTOR				OCW	3711-001137	CONNECTOR		
	JR 46	2001-000591	CARBON RESISTOR				OIC 1	AH14-10004R	IC		
	JR 51	2001-000660	CARBON RESISTOR				OJACK	0603-001069	OPTIC TRANSMITT		
	JR 52	2001-000591	CARBON RESISTOR				OLPF	AH29-00004A	FILTER NOISE		
	JR 53	2001-000319	CARBON RESISTOR				PCW 1	3711-000588	CONNECTOR	5267-10P	
	JR 61	2001-000734	CARBON RESISTOR			△	RBD 1	0402-000450	DIODE		
	JR1L	2001-000449	CARBON RESISTOR			△	RBD 2	0402-001258	DIODE		
	JR1R	2001-000449	CARBON RESISTOR			△	RC 1	2401-001928	E.CAPACITOR		
	JR10L	2001-000449	CARBON RESISTOR			△	RC 2	2401-001928	E.CAPACITOR		
	JR10R	2001-000449	CARBON RESISTOR			△	RC 3	2401-003381	E.CAPACITOR		
	JR11L	2001-000802	CARBON RESISTOR			△	RC 4	2401-003381	E.CAPACITOR		
	JR11R	2001-000802	CARBON RESISTOR				RC 5	2401-001954	E.CAPACITOR		
	JR12L	2001-000734	CARBON RESISTOR				RC 6	2401-000907	E.CAPACITOR		
	JR12R	2001-000734	CARBON RESISTOR				RC 7	2401-001912	E.CAPACITOR		
	JR16L	2001-000613	CARBON RESISTOR				RC 8	2401-001954	E.CAPACITOR		
	JR16R	2001-000613	CARBON RESISTOR			△	RC 11	2201-000161	C.CAPACITOR		
	JR17L	2001-000003	CARBON RESISTOR				RC 13	2401-000230	E.CAPACITOR		
	JR17R	2001-000003	CARBON RESISTOR				RC 14	2401-000795	E.CAPACITOR		
	JR18L	2001-000734	CARBON RESISTOR				RC 19	2401-001893	E.CAPACITOR		
	JR18R	2001-000734	CARBON RESISTOR				RC 20	2401-001893	E.CAPACITOR		
	JR19L	2001-000522	CARBON RESISTOR				RC 37	2401-000438	E.CAPACITOR		
	JR19R	2001-000522	CARBON RESISTOR			△	RC 81	2201-000161	C.CAPACITOR		
	JR2L	2001-000449	CARBON RESISTOR				RCW 1	AH37-22001N	CONNECTOR JACK		
	JR2R	2001-000456	CARBON RESISTOR				RCW 6	3711-001137	CONNECTOR		
	JR20L	2001-000977	CARBON RESISTOR				RD 1	0402-000127	DIODE		
	JR20R	2001-000977	CARBON RESISTOR				RD 2	0402-000127	DIODE		
	JR24L	2001-000613	CARBON RESISTOR				RD 3	0402-000127	DIODE		
	JR24R	2001-000613	CARBON RESISTOR				RD 5	0402-000127	DIODE		
	JR251	2001-000008	CARBON RESISTOR				RD 7	0401-000101	DIODE		
	JR252	2001-000449	CARBON RESISTOR				RD 8	0402-000151	DIODE		
	JR253	2001-000449	CARBON RESISTOR				RD 9	0402-000127	DIODE		
	JR254	2001-000008	CARBON RESISTOR				RD 10	0402-000127	DIODE		
	JR28L	2001-000734	CARBON RESISTOR				RD 30	0402-000151	DIODE		
	JR28R	2001-000734	CARBON RESISTOR				RD 31	0402-000151	DIODE		
	JR3L	2001-000591	CARBON RESISTOR				RD 32	0402-000151	DIODE		
	JR3R	2001-000591	CARBON RESISTOR			△	RF 23	2008-000135	FUSE RESISTOR		
	JR37L	2001-000786	CARBON RESISTOR				RFS 5	3602-000147	FUSE CLIP		
	JR37R	2001-000786	CARBON RESISTOR			△	RFS 5	3601-000282	FUSE CARTRIDGE		
	JR40L	2001-000302	CARBON RESISTOR				RFS 6	3602-000147	FUSE CLIP		
	JR40R	2001-000302	CARBON RESISTOR			△	RFS 6	3601-000282	FUSE CARTRIDGE		
	JR41L	2001-000008	CARBON RESISTOR				RFS 7	3602-000147	FUSE CLIP		

■ Electrical parts list (Main board)

Block No. 01

△	Item	Parts number	Parts name	Remarks	Area
△	RFS 7	3601-000282	FUSE CARTRIDGE		
	RFS 8	3602-000147	FUSE CLIP		
△	RFS 8	3601-000282	FUSE CARTRIDGE		
	RIC 1	1203-001653	IC		
	RJW 1	AH39-50001L	LEAD-FASTEN		
	RL 1	2701-000298	INDUCTOR	AX470UH 04	
	RQ 1	0501-000610	TRANSISTOR		
	RQ 3	0501-000331	TRANSISTOR		
	RQ 4	0501-000294	TRANSISTOR		
	RR 1	2003-000701	OMF RESISTOR		
	RR 3	2001-000023	CARBON RESISTOR		
	RR 4	2001-000023	CARBON RESISTOR		
	RR 5	2001-000613	CARBON RESISTOR		
	RR 6	2001-000734	CARBON RESISTOR		
	RR 8	2003-000455	OMF RESISTOR		
	RR 9	2001-000563	CARBON RESISTOR		
	RR 10	2001-000055	CARBON RESISTOR		
	RR 11	2001-000591	CARBON RESISTOR		
	RR 12	2001-000734	CARBON RESISTOR		
	RR 13	2001-000111	CARBON RESISTOR		
	RR 15	2001-000734	CARBON RESISTOR		
	RR 16	2001-000038	CARBON RESISTOR		
	RR 17	2001-000429	CARBON RESISTOR		
	RR 20	2001-000786	CARBON RESISTOR		
	RW 1	AH39-00338A	LEAD CONNECTOR		
	RW 2	AH39-00244A	LEAD CONNECTOR		
	RZD 1	0403-000379	ZENER DIODE		
	RZD 2	0403-000570	ZENER DIODE		
	RZD 3	0403-000570	ZENER DIODE		
	RZD 4	0403-000354	DIODE-ZENER		
	RZD 5	0403-001010	ZENER DIODE		
	TC101	2201-000783	C.CAPACITOR		
	TC102	2201-000783	C.CAPACITOR		
	VBD 3	0402-001077	DIODE		
	VC 6	2201-000161	C.CAPACITOR		
	VC 7	2401-000686	E.CAPACITOR		
	VCW 1	AH39-00096C	CONNECTOR		
	VIC 2	1203-001006	IC		
	VJACK	AH37-00005A	JACK KRCA	YELLOW(WITH SHI)	

■ Electrical parts list (Front board)

Block No. 02

△	Item	Parts number	Parts name	Remarks	Area
	MC 1	2401-001975	E.CAPACITOR		
	MC 2	2201-000576	C.CAPACITOR		
	MC 3	2401-001954	E.CAPACITOR		
	MC 4	2401-001954	E.CAPACITOR		
	MC 5	2401-001954	E.CAPACITOR		
	MC 6	2401-001975	E.CAPACITOR		
	MC 7	2401-001954	E.CAPACITOR		
	MC 8	2401-001912	E.CAPACITOR		
	MC 9	2201-000653	C.CAPACITOR		
	MC 10	2401-001954	E.CAPACITOR		
	MC 11	2201-000747	C.CAPACITOR		
	MC 12	2401-001912	E.CAPACITOR		
	MC 17	2401-001954	E.CAPACITOR		
	MCW 1	AH39-00246A	LEAD CONNECTOR		
	MCW 2	AH39-00248A	LEAD CONNECTOR		
	MCW 3	AH39-00248A	LEAD CONNECTOR		
	MD 1	0401-000101	DIODE		
	MD 2	0401-000101	DIODE		
	MIC	3722-000351	PHONE JACK		
	MIC 1	1201-000163	IC		
	MQ 1	0501-000398	TRANSISTOR		
	MQ 2	0501-000398	TRANSISTOR		
	MR 1	2001-000319	CARBON RESISTOR		
	MR 2	2001-000290	CARBON RESISTOR		
	MR 3	2001-000290	CARBON RESISTOR		
	MR 4	2001-000449	CARBON RESISTOR		
	MR 5	2001-000472	CARBON RESISTOR		
	MR 6	2001-000290	CARBON RESISTOR		
	MR 7	2001-000290	CARBON RESISTOR		
	MR 8	2001-000290	CARBON RESISTOR		
	MR 9	2001-000290	CARBON RESISTOR		
	MR 10	2001-000290	CARBON RESISTOR		
	MR 11	2001-000522	CARBON RESISTOR		
	MR 12	2001-000734	CARBON RESISTOR		
	MR 13	2001-000290	CARBON RESISTOR		
	MR 14	2001-000734	CARBON RESISTOR		
	MR 15	2001-000290	CARBON RESISTOR		
	MVR 1	2101-001052	ROTA V.RESISTOR	10KOHM XV092PVP	
	R-EYE	AC59-60060A	REMOCON MODULE		
	U 15	0504-000117	DIGITAL TR		
	UC 1	2401-000475	E.CAPACITOR		
	UC 2	2201-000565	C.CAPACITOR		
	UC 3	2401-000475	E.CAPACITOR		
	UC 4	2201-000565	C.CAPACITOR		
	UC 5	2201-000565	C.CAPACITOR		
	UC 6	2201-000825	C.CAPACITOR		
	UC 7	2201-000825	C.CAPACITOR		
	UC 8	2201-000247	C.CAPACITOR		
	UC 9	2201-000247	C.CAPACITOR		
	UC 10	2401-000240	E.CAPACITOR		
	UC 11	2401-000759	E.CAPACITOR		
	UC 12	2401-001355	E.CAPACITOR		
	UC 15	2201-000565	C.CAPACITOR		
	UC 19	2201-000565	C.CAPACITOR		
	UC 20	2201-000163	C.CAPACITOR		
	UC 21	2201-000163	C.CAPACITOR		
	UC 30	2201-000146	C.CAPACITOR		
	UC 32	2401-001364	E.CAPACITOR		
	UCW 1	3708-000492	CONNECTOR		
	UCW 2	3708-000178	CONNECTOR		
	UCW 3	3708-000448	CONNECTOR		
	UCW 4	3708-000451	CONNECTOR		
	UCW 5	3708-000492	CONNECTOR		

■ Electrical parts list (Front board)

Block No. 02

△	Item	Parts number	Parts name	Remarks	Area	△	Item	Parts number	Parts name	Remarks	Area
	UCW 6	3708-001488	CONNECTOR				UR 27	2001-000734	CARBON RESISTOR		
	UCW 7	3708-000181	CONNECTOR				UR 28	2001-000786	CARBON RESISTOR		
	UD 11	0402-000127	DIODE				UR 29	2001-000786	CARBON RESISTOR		
	UD 12	0402-000127	DIODE				UR 30	2001-000786	CARBON RESISTOR		
	UD 13	0402-000127	DIODE				UR 31	2001-000786	CARBON RESISTOR		
	UD 14	0401-000101	DIODE				UR 32	2001-000786	CARBON RESISTOR		
	UD 15	0401-000101	DIODE				UR 33	2001-000786	CARBON RESISTOR		
	UD 16	0401-000101	DIODE				UR 34	2001-000290	CARBON RESISTOR		
	UD 17	0401-000101	DIODE				UR 35	2001-000290	CARBON RESISTOR		
	UD 18	0402-000127	DIODE				UR 36	2001-000290	CARBON RESISTOR		
	UD 19	0402-000127	DIODE				UR 37	2001-000290	CARBON RESISTOR		
	UIC 1	AH11-00039A	IC				UR 38	2001-000290	CARBON RESISTOR		
	UIC 2	0904-001316	IC				UR 39	2001-000290	CARBON RESISTOR		
	ULD 2	0601-001238	LED				UR 40	2001-000591	CARBON RESISTOR		
	ULD 3	0601-001238	LED				UR 41	2001-000429	CARBON RESISTOR		
	ULD 4	0601-001238	LED				UR 42	2001-000429	CARBON RESISTOR		
	ULD 5	0601-001238	LED				UR 43	2001-000435	CARBON RESISTOR		
	ULD 6	0601-001238	LED				UR 44	2001-000734	CARBON RESISTOR		
	ULD 7	0601-001238	LED				UR 45	2001-000508	CARBON RESISTOR		
	ULD 8	0601-001238	LED				UR 46	2001-000793	CARBON RESISTOR		
	ULD 9	0601-001238	LED				UR 47	2001-000850	CARBON RESISTOR		
	ULD10	0601-001238	LED				UR 48	2001-000295	CARBON RESISTOR		
	ULD11	0601-001238	LED				UR 49	2001-001178	CARBON RESISTOR		
	ULD12	0601-001238	LED				UR 50	2001-001178	CARBON RESISTOR		
	UQ 1	0504-000117	DIGITAL TR				UR 51	2001-001178	CARBON RESISTOR		
	UQ 2	0504-000117	DIGITAL TR				UR 52	2001-000449	CARBON RESISTOR		
	UQ 3	0504-000117	DIGITAL TR				UR 54	2001-000995	CARBON RESISTOR		
	UQ 4	0504-000117	DIGITAL TR				UR 55	2001-000290	CARBON RESISTOR		
	UQ 5	0504-000118	DIGITAL TR				UR 56	2001-000429	CARBON RESISTOR		
	UQ 6	0501-000398	TRANSISTOR				UR 57	2001-000429	CARBON RESISTOR		
	UQ 7	0504-000118	DIGITAL TR				UR 58	2001-000429	CARBON RESISTOR		
	UQ 8	0501-000610	TRANSISTOR				UR 59	2001-000429	CARBON RESISTOR		
	UQ 9	0504-000118	DIGITAL TR				UR 62	2001-000429	CARBON RESISTOR		
	UQ 10	0501-000610	TRANSISTOR				UR 63	2001-000290	CARBON RESISTOR		
	UQ 11	0501-000610	TRANSISTOR				UR 64	2001-000290	CARBON RESISTOR		
	UQ 12	0504-000117	DIGITAL TR				UR 65	2001-000290	CARBON RESISTOR		
	UQ 13	0504-000117	DIGITAL TR				UR 66	2001-000290	CARBON RESISTOR		
	UQ 14	0504-000117	DIGITAL TR				UR 67	2001-000290	CARBON RESISTOR		
	UR 1	2001-000003	CARBON RESISTOR				UR 68	2001-000290	CARBON RESISTOR		
	UR 2	2001-000995	CARBON RESISTOR				UR 69	2001-000290	CARBON RESISTOR		
	UR 4	2001-000855	CARBON RESISTOR				UR 70	2001-000290	CARBON RESISTOR		
	UR 5	2001-000855	CARBON RESISTOR				UR 71	2001-000290	CARBON RESISTOR		
	UR 6	2001-000855	CARBON RESISTOR				UR 72	2001-000290	CARBON RESISTOR		
	UR 7	2001-000429	CARBON RESISTOR				UR 73	2001-000290	CARBON RESISTOR		
	UR 8	2001-000221	CARBON RESISTOR				UR 74	2001-000290	CARBON RESISTOR		
	UR 9	2001-000241	CARBON RESISTOR				UR 75	2001-000290	CARBON RESISTOR		
	UR 10	2001-000258	CARBON RESISTOR				UR 76	2001-000290	CARBON RESISTOR		
	UR 11	2001-000449	CARBON RESISTOR				UR 77	2001-000005	CARBON RESISTOR		
	UR 12	2001-000734	CARBON RESISTOR				UR 79	2001-000290	CARBON RESISTOR		
	UR 13	2001-000734	CARBON RESISTOR				UR 80	2001-000290	CARBON RESISTOR		
	UR 14	2001-000734	CARBON RESISTOR				UR 81	2001-000290	CARBON RESISTOR		
	UR 15	2001-000734	CARBON RESISTOR				UR 82	2001-000290	CARBON RESISTOR		
	UR 16	2001-000734	CARBON RESISTOR				UR 83	2001-000290	CARBON RESISTOR		
	UR 17	2001-000734	CARBON RESISTOR				UR 84	2001-000290	CARBON RESISTOR		
	UR 18	2001-000734	CARBON RESISTOR				UR 85	2001-000290	CARBON RESISTOR		
	UR 19	2001-000734	CARBON RESISTOR				UR 86	2001-000290	CARBON RESISTOR		
	UR 20	2001-000734	CARBON RESISTOR				UR 87	2001-000290	CARBON RESISTOR		
	UR 21	2001-000734	CARBON RESISTOR				UR 88	2001-000290	CARBON RESISTOR		
	UR 22	2001-000734	CARBON RESISTOR				UR 89	2001-000290	CARBON RESISTOR		
	UR 23	2001-000734	CARBON RESISTOR				UR 90	2001-000290	CARBON RESISTOR		
	UR 24	2001-000734	CARBON RESISTOR				UR 91	2001-000290	CARBON RESISTOR		
	UR 25	2001-000734	CARBON RESISTOR				UR 92	2001-000429	CARBON RESISTOR		
	UR 26	2001-000734	CARBON RESISTOR				UR 93	2001-000995	CARBON RESISTOR		

■ Electrical parts list (Front board)

Block No. 02

△	Item	Parts number	Parts name	Remarks	Area	△	Item	Parts number	Parts name	Remarks	Area
	UR 94	2001-000221	CARBON RESISTOR				USW27	3404-000165	TACT SWITCH		
	UR 95	2001-000522	CARBON RESISTOR				USW28	3404-000165	TACT SWITCH		
	UR110	2001-000995	CARBON RESISTOR				USW29	3404-000165	TACT SWITCH		
	UR111	2001-000855	CARBON RESISTOR				USW30	3404-000165	TACT SWITCH		
	UR112	2001-000241	CARBON RESISTOR				USW31	3404-000165	TACT SWITCH		
	UR113	2001-000855	CARBON RESISTOR				USW32	3404-000165	TACT SWITCH		
	UR114	2001-000258	CARBON RESISTOR				UVR 2	3406-001047	ROTARY SWITCH		
	UR115	2001-000855	CARBON RESISTOR				UVR 3	3406-001047	ROTARY SWITCH		
	UR116	2001-000591	CARBON RESISTOR				UX 1	2802-000181	RESONATOR		
	UR117	2001-000449	CARBON RESISTOR				UX 2	2801-001394	CRYSTAL		
	UR118	2001-000890	CARBON RESISTOR				VFD	AH07-00040A	VF DISPLAY		
	UR119	2001-000290	CARBON RESISTOR								
	UR120	2001-000890	CARBON RESISTOR								
	UR121	2001-000290	CARBON RESISTOR								
	UR123	2001-000010	CARBON RESISTOR								
	UR124	2001-000734	CARBON RESISTOR								
	UR125	2001-000734	CARBON RESISTOR								
	UR126	2001-000591	CARBON RESISTOR								
	UR127	2001-000449	CARBON RESISTOR								
	UR128	2001-000258	CARBON RESISTOR								
	UR129	2001-000241	CARBON RESISTOR								
	UR130	2001-000221	CARBON RESISTOR								
	UR131	2001-000429	CARBON RESISTOR								
	UR150	2001-000786	CARBON RESISTOR								
	UR151	2001-000786	CARBON RESISTOR								
	UR152	2001-000786	CARBON RESISTOR								
	UR153	2001-000786	CARBON RESISTOR								
	UR154	2001-000290	CARBON RESISTOR								
	UR162	2001-000290	CARBON RESISTOR								
	UR164	2001-000515	CARBON RESISTOR								
	UR196	2001-000855	CARBON RESISTOR								
	UR201	2001-000290	CARBON RESISTOR								
	UR202	2001-000290	CARBON RESISTOR								
	UR203	2001-000290	CARBON RESISTOR								
	UR204	2001-000290	CARBON RESISTOR								
	UR205	2001-000290	CARBON RESISTOR								
	UR206	2001-000290	CARBON RESISTOR								
	USR 1	2103-000492	VR-SEMI								
	USW 1	3404-000165	TACT SWITCH								
	USW 3	3404-000165	TACT SWITCH								
	USW 4	3404-000165	TACT SWITCH								
	USW 5	3404-000165	TACT SWITCH								
	USW 6	3404-000165	TACT SWITCH								
	USW 7	3404-000165	TACT SWITCH								
	USW 8	3404-000165	TACT SWITCH								
	USW 9	3404-000165	TACT SWITCH								
	USW10	3404-000165	TACT SWITCH								
	USW11	3404-000165	TACT SWITCH								
	USW12	3404-000165	TACT SWITCH								
	USW13	3404-000165	TACT SWITCH								
	USW14	3404-000165	TACT SWITCH								
	USW15	3404-000165	TACT SWITCH								
	USW16	3404-000165	TACT SWITCH								
	USW17	3404-000165	TACT SWITCH								
	USW18	3404-000165	TACT SWITCH								
	USW19	3404-000165	TACT SWITCH								
	USW20	3404-000165	TACT SWITCH								
	USW21	3404-000165	TACT SWITCH								
	USW22	3404-000165	TACT SWITCH								
	USW23	3404-000165	TACT SWITCH								
	USW24	3404-000165	TACT SWITCH								
	USW25	3404-000165	TACT SWITCH								
	USW26	3404-000165	TACT SWITCH								

■ Electrical parts list (Amp board)

Block No. 03

△	Item	Parts number	Parts name	Remarks	Area	△	Item	Parts number	Parts name	Remarks	Area
	AC 3	2301-000375	M.CAPACITOR				AC7R	2401-000240	E.CAPACITOR		
	AC 4	2301-000375	M.CAPACITOR				AC8L	2401-000459	E.CAPACITOR		
	AC 8	2201-000368	C.CAPACITOR				AC8R	2401-000459	E.CAPACITOR		
	AC 9	2401-000357	E.CAPACITOR				AC9L	2201-000381	C.CAPACITOR		
	AC 10	2401-000357	E.CAPACITOR				AC9R	2201-000381	C.CAPACITOR		
	AC 11	2201-000368	C.CAPACITOR				AD 5	0402-000127	DIODE		
	AC 12	2401-002180	E.CAPACITOR				AD 6	0401-000101	DIODE		
	AC 13	2401-001154	E.CAPACITOR				AD 7	0401-000101	DIODE		
	AC 14	2201-000658	C.CAPACITOR				AD 8	0401-000101	DIODE		
	AC 15	2201-000658	C.CAPACITOR				AD 9	0401-000101	DIODE		
	AC 16	2401-001154	E.CAPACITOR			△	AIC 1	1201-001544	IC		
	AC 17	2401-002180	E.CAPACITOR			△	AIC 2	1201-001599	IC		
	AC 20	2401-000230	E.CAPACITOR				AIC 3	1201-000163	IC		
	AC 22	2301-000390	M.CAPACITOR				AIC 4	1201-000163	IC		
	AC 23	2401-000240	E.CAPACITOR				AIC 5	1201-000163	IC		
	AC 24	2301-000411	M.CAPACITOR				AIC 6	1201-000163	IC		
	AC 25	2301-000419	M.CAPACITOR				AIC 7	1201-000163	IC		
	AC 26	2401-000240	E.CAPACITOR				AL 1	AH27-90001A	COIL-SPRING		
	AC 27	2201-000783	C.CAPACITOR				AL 2	AH27-90001A	COIL-SPRING		
	AC 28	2201-000783	C.CAPACITOR				AL1L	AH27-90001A	COIL-SPRING		
	AC 29	2401-000240	E.CAPACITOR				AL1R	AH27-90001A	COIL-SPRING		
	AC 30	2401-001975	E.CAPACITOR				AQ 1	0501-000407	TRANSISTOR		
	AC 31	2201-000146	C.CAPACITOR				AQ 2	0501-000407	TRANSISTOR		
	AC 32	2401-000240	E.CAPACITOR				AQ 3	0501-000407	TRANSISTOR		
	AC 33	2401-003621	E.CAPACITOR				AQ 6	0501-000010	TRANSISTOR	KSC1008-YTA	
	AC 34	2401-001954	E.CAPACITOR				AQ 8	0501-000610	TRANSISTOR		
	AC 35	2301-000475	M.CAPACITOR				AQ 11	0501-000398	TRANSISTOR		
	AC 36	2201-000547	C.CAPACITOR				AQ 12	0501-000398	TRANSISTOR		
	AC 37	2401-001975	E.CAPACITOR				AQ 13	0501-000398	TRANSISTOR		
	AC 38	2401-001975	E.CAPACITOR				AQ 14	0501-000610	TRANSISTOR		
	AC 39	2401-001912	E.CAPACITOR				AQ2L	0501-000407	TRANSISTOR		
	AC 40	2401-001954	E.CAPACITOR				AQ2R	0501-000407	TRANSISTOR		
	AC 41	2401-000240	E.CAPACITOR				AR 1	2003-000689	OMF RESISTOR		
	AC 42	2301-000411	M.CAPACITOR				AR 2	2003-000689	OMF RESISTOR		
	AC 43	2401-000240	E.CAPACITOR				AR 3	2001-000065	CARBON RESISTOR		
	AC 44	2401-000240	E.CAPACITOR				AR 4	2001-000290	CARBON RESISTOR		
	AC 45	2301-000411	M.CAPACITOR				AR 5	2003-000008	OMF RESISTOR		
	AC 46	2301-000419	M.CAPACITOR				AR 6	2001-000290	CARBON RESISTOR		
	AC 47	2201-000381	C.CAPACITOR				AR 7	2001-000258	CARBON RESISTOR		
	AC 49	2401-001975	E.CAPACITOR				AR 8	2001-000864	CARBON RESISTOR		
	AC 50	2401-000240	E.CAPACITOR				AR 9	2003-000390	OMF RESISTOR		
	AC 51	2401-002180	E.CAPACITOR				AR 10	2003-000390	OMF RESISTOR		
	AC 52	2401-000871	E.CAPACITOR				AR 11	2003-000390	OMF RESISTOR		
	AC 54	2201-000783	C.CAPACITOR				AR 12	2003-000390	OMF RESISTOR		
	AC 55	2201-000783	C.CAPACITOR				AR 13	2003-000008	OMF RESISTOR		
	AC 56	2301-000375	M.CAPACITOR				AR 14	2001-000864	CARBON RESISTOR		
	ACW 1	3708-001094	CONNECTOR				AR 15	2001-000258	CARBON RESISTOR		
	ACW 2	3711-001167	CONNECTOR	9P 1R 2.5MM STR			AR 20	2001-000660	CARBON RESISTOR		
	AC1L	2201-000368	C.CAPACITOR				AR 21	2001-000429	CARBON RESISTOR		
	AC1R	2201-000368	C.CAPACITOR				AR 22	2001-000017	CARBON RESISTOR		
	AC10L	2301-000375	M.CAPACITOR				AR 24	2001-000017	CARBON RESISTOR		
	AC2L	2401-000357	E.CAPACITOR				AR 25	2001-000515	CARBON RESISTOR		
	AC2R	2401-000357	E.CAPACITOR				AR 26	2001-000273	CARBON RESISTOR		
	AC3R	2401-002180	E.CAPACITOR				AR 32	2001-000273	CARBON RESISTOR		
	AC301	2401-000475	E.CAPACITOR				AR 33	2001-000281	CARBON RESISTOR		
	AC302	2401-000475	E.CAPACITOR				AR 34	2001-000522	CARBON RESISTOR		
	AC303	2401-000475	E.CAPACITOR				AR 35	2001-000522	CARBON RESISTOR		
	AC304	2401-000475	E.CAPACITOR				AR 36	2001-000281	CARBON RESISTOR		
	AC4L	2401-001154	E.CAPACITOR				AR 37	2001-000258	CARBON RESISTOR		
	AC4R	2401-001154	E.CAPACITOR				AR 38	2001-000802	CARBON RESISTOR		
	AC5L	2201-000658	C.CAPACITOR				AR 39	2001-000522	CARBON RESISTOR		
	AC6L	2401-002180	E.CAPACITOR				AR 40	2001-000508	CARBON RESISTOR		
	AC7L	2401-000240	E.CAPACITOR				AR 41	2001-000281	CARBON RESISTOR		

■ Electrical parts list (Amp board)

Block No. 03

△	Item	Parts number	Parts name	Remarks	Area
	AR 42	2001-000008	CARBON RESISTOR		
	AR 43	2001-000331	CARBON RESISTOR		
	AR 44	2001-000273	CARBON RESISTOR		
	AR 45	2001-000786	CARBON RESISTOR		
	AR 46	2001-000281	CARBON RESISTOR		
	AR 47	2001-000273	CARBON RESISTOR		
	AR 48	2001-000273	CARBON RESISTOR		
	AR 49	2001-000548	CARBON RESISTOR		
	AR 50	2001-000563	CARBON RESISTOR		
	AR 51	2001-000273	CARBON RESISTOR		
	AR 52	2001-000977	CARBON RESISTOR		
	AR 53	2001-000508	CARBON RESISTOR		
	AR 54	2001-000449	CARBON RESISTOR		
	AR 55	2001-000786	CARBON RESISTOR		
	AR 56	2001-000554	CARBON RESISTOR		
	AR 57	2001-000802	CARBON RESISTOR		
	AR 58	2001-000273	CARBON RESISTOR		
	AR 59	2001-000281	CARBON RESISTOR		
	AR 60	2001-000522	CARBON RESISTOR		
	AR 61	2001-000522	CARBON RESISTOR		
	AR 62	2001-000563	CARBON RESISTOR		
	AR 63	2001-000281	CARBON RESISTOR		
	AR 64	2001-000258	CARBON RESISTOR		
	AR 65	2001-000864	CARBON RESISTOR		
	AR 66	2001-000508	CARBON RESISTOR		
	AR 67	2001-000508	CARBON RESISTOR		
	AR 68	2001-000281	CARBON RESISTOR		
	AR 69	2001-000522	CARBON RESISTOR		
	AR 70	2001-000522	CARBON RESISTOR		
	AR 71	2001-000281	CARBON RESISTOR		
	AR 72	2001-000281	CARBON RESISTOR		
	AR 73	2001-001000	CARBON RESISTOR		
	AR 74	2001-000273	CARBON RESISTOR		
	AR 75	2001-000281	CARBON RESISTOR		
	AR 77	2001-000065	CARBON RESISTOR		
	AR 78	2003-000008	OMF RESISTOR		
	AR 79	2003-000008	OMF RESISTOR		
	AR 80	2001-000660	CARBON RESISTOR		
	AR 81	2001-000660	CARBON RESISTOR		
	AR 82	2001-000660	CARBON RESISTOR		
	AR 83	2001-000786	CARBON RESISTOR		
	AR 84	2001-000591	CARBON RESISTOR		
	AR 86	2001-000591	CARBON RESISTOR		
	AR 87	2001-000591	CARBON RESISTOR		
	AR 88	2001-000290	CARBON RESISTOR		
	AR 89	2001-000786	CARBON RESISTOR		
	ARL 1	3501-001197	RELAY MINIATURE	OSA-SS-212DM3	
	AR1L	2001-000290	CARBON RESISTOR		
	AR1R	2001-000290	CARBON RESISTOR		
	AR11L	2001-000522	CARBON RESISTOR		
	AR11R	2001-000522	CARBON RESISTOR		
	AR12L	2001-000281	CARBON RESISTOR		
	AR12R	2001-001000	CARBON RESISTOR		
	AR13L	2001-000864	CARBON RESISTOR		
	AR13R	2001-000281	CARBON RESISTOR		
	AR14L	2001-001000	CARBON RESISTOR		
	AR14R	2001-000864	CARBON RESISTOR		
	AR15L	2003-000689	OMF RESISTOR		
	AR15R	2003-000689	OMF RESISTOR		
	AR2L	2001-000258	CARBON RESISTOR		
	AR2R	2001-000258	CARBON RESISTOR		
	AR3L	2001-000864	CARBON RESISTOR		
	AR3R	2001-000864	CARBON RESISTOR		

△	Item	Parts number	Parts name	Remarks	Area
	AR300	2001-000429	CARBON RESISTOR		
	AR310	2001-000786	CARBON RESISTOR		
	AR311	2001-000786	CARBON RESISTOR		
	AR312	2001-000786	CARBON RESISTOR		
	AR4L	2001-000864	CARBON RESISTOR		
	AR4R	2001-000864	CARBON RESISTOR		
	AR6L	2001-000017	CARBON RESISTOR		
	AR6R	2001-000017	CARBON RESISTOR		
	AR7L	2001-000429	CARBON RESISTOR		
	AR7R	2001-000429	CARBON RESISTOR		
	AR8L	2001-000591	CARBON RESISTOR		
	AR8R	2001-000591	CARBON RESISTOR		
	SPK	3716-001164	TERMINAL-BLOCK		

■ Electrical parts list (Voice cancel board) Block No. 04

△	Item	Parts number	Parts name	Remarks	Area
	C 301	2401-000907	E.CAPACITOR		
	C 302	2401-000438	E.CAPACITOR		
	C 303	2301-000216	C-FLIM,PEF		
	C 304	2301-000470	C-FILM,PEF		
	C 305	2401-000438	E.CAPACITOR		
	C 306	2301-000462	C-FILM,PEF		
	C 307	2401-000656	E.CAPACITOR		
	C 308	2401-000438	E.CAPACITOR		
	C 309	2401-000438	E.CAPACITOR		
	C 310	2401-001954	E.CAPACITOR		
	C 311	2401-001912	E.CAPACITOR		
	CW301	3710-000209	CONNECTOR		
	CW302	3710-000209	CONNECTOR		
	IC301	1204-000393	IC		
	R 301	2001-000027	CARBON RESISTOR		
	R 302	2001-000522	CARBON RESISTOR		
	R 303	2001-000522	CARBON RESISTOR		
	R 304	2001-000802	CARBON RESISTOR		
	R 305	2001-000894	CARBON RESISTOR		
	R 306	2001-000786	CARBON RESISTOR		
	R 307	2001-000281	CARBON RESISTOR		
	R 308	2001-000522	CARBON RESISTOR		
	R 309	2001-000802	CARBON RESISTOR		
	RCW 2	3711-000190	CONNECTOR		
	RFS 2	3602-000147	FUSE CLIP		
△	RFS 2	3601-000282	FUSE CARTRIDGE		
△	RFS 3	3601-000226	FUSE CARTRIDGE		
	RFS 3	3602-000147	FUSE CLIP		
△	RFS 4	3601-000216	FUSE CARTRIDGE		
	RFS 4	3602-000147	FUSE CLIP		
△	RSW 1	AH34-00013A	VOLTAGE SELECT		
	ZD301	0403-000317	ZENER DIODE		

■ Electrical parts list (VCD board) Block No. 05

△	Item	Parts number	Parts name	Remarks	Area
	AC 5	2202-000791	C.CAPACITOR		
	AC 6	2202-000791	C.CAPACITOR		
	AC 11	2202-000780	C.CAPACITOR		
	AC 12	2202-000780	C.CAPACITOR		
	ACE 1	2401-000419	E.CAPACITOR		
	ACE 2	2401-000419	E.CAPACITOR		
	ACE 3	2401-000459	E.CAPACITOR		
	ACE 4	2401-001092	E.CAPACITOR		
	ACE 8	2401-001511	E.CAPACITOR		
	ACE 9	2401-001511	E.CAPACITOR		
	ACE10	2401-000459	E.CAPACITOR		
	ACE4A	2401-001364	E.CAPACITOR		
	AIC 3	A4012-0597	IC	KA4558DTF STICK	
	AQ 3	0501-000637	TRANSISTOR		
	AQ 4	0504-000144	DIGI TRANSISTOR		
	AQ 5	0501-000637	TRANSISTOR		
	AR 12	2001-000273	CARBON RESISTOR		
	AR 13	2001-000290	CARBON RESISTOR		
	AR 15	2001-000273	CARBON RESISTOR		
	AR 16	2001-000290	CARBON RESISTOR		
	AR 17	2001-000522	CARBON RESISTOR		
	AR 20	2001-000273	CARBON RESISTOR		
	AR 22	2001-000273	CARBON RESISTOR		
	AR 24	2001-000515	CARBON RESISTOR		
	AR 28	2001-000515	CARBON RESISTOR		
	AR 30	2001-000515	CARBON RESISTOR		
	AR 31	2001-000515	CARBON RESISTOR		
	AR 32	2001-000515	CARBON RESISTOR		
	AR 33	2001-000515	CARBON RESISTOR		
	C 101	2401-000244	E.CAPACITOR		
	C 102	2202-000796	C.CAPACITOR		
	C 103	2202-000797	C.CAPACITOR		
	C 104	2202-000848	C.CAPACITOR		
	C 105	2202-000644	C.CAPACITOR		
	C 106	2401-001965	E.CAPACITOR		
	C 107	2401-000244	E.CAPACITOR		
	C 111	2202-000797	C.CAPACITOR		
	C 112	2202-000796	C.CAPACITOR		
	C 113	2202-000797	C.CAPACITOR		
	C 114	2401-001627	E.CAPACITOR		
	C 115	2202-000780	C.CAPACITOR		
	C 116	2202-000780	C.CAPACITOR		
	C 117	2202-000796	C.CAPACITOR		
	C 118	2202-000780	C.CAPACITOR		
	C 119	2202-000644	C.CAPACITOR		
	C 120	2401-001965	E.CAPACITOR		
	C 121	2202-000797	C.CAPACITOR		
	C 122	2301-000469	M.CAPACITOR		
	C 123	2401-000419	E.CAPACITOR		
	C 124	2202-000780	C.CAPACITOR		
	C 125	2202-000814	C.CAPACITOR		
	C 126	2201-000338	C.CAPACITOR		
	C 127	2201-000368	C.CAPACITOR		
	C 128	2202-000644	C.CAPACITOR		
	C 129	2202-000780	C.CAPACITOR		
	C 130	2202-000780	C.CAPACITOR		
	C 132	2401-000795	E.CAPACITOR		
	C 133	2401-000244	E.CAPACITOR		
	C 134	2202-000797	C.CAPACITOR		
	C 201	2202-000797	C.CAPACITOR		
	C 203	2202-000829	C.CAPACITOR		
	C 204	2202-000797	C.CAPACITOR		
	C 209	2202-000797	C.CAPACITOR		

■ Electrical parts list (VCD board)

Block No. 05

△	Item	Parts number	Parts name	Remarks	Area	△	Item	Parts number	Parts name	Remarks	Area
	C 212	2401-000244	E.CAPACITOR				DR 46	2001-000281	CARBON RESISTOR		
	C 213	2202-000797	C.CAPACITOR				DR 47	2001-000281	CARBON RESISTOR		
	C 215	2401-000244	E.CAPACITOR				DR 48	2001-000281	CARBON RESISTOR		
	C 216	2202-000797	C.CAPACITOR				DR 49	2001-000281	CARBON RESISTOR		
	C 217	2401-000244	E.CAPACITOR				DR 50	2001-000281	CARBON RESISTOR		
	C 218	2202-000797	C.CAPACITOR				DR 51	2001-000281	CARBON RESISTOR		
	CW 1	3711-000906	CONNECTOR				DR 52	2001-000281	CARBON RESISTOR		
	CW 2	AH39-00345A	WIRE HARNESS				DR 53	2001-000281	CARBON RESISTOR		
	CW 3	AH39-20561P	LEAD CONNECTOR				DR 54	2001-000281	CARBON RESISTOR		
	CW 4	3711-003379	CONNECTOR	35366-0310			DR 55	2001-000281	CARBON RESISTOR		
	CW 5	3708-001027	CONNECTOR				DR 56	2001-000281	CARBON RESISTOR		
	CW 6	3708-001131	CONNECTOR				DR 57	2001-000281	CARBON RESISTOR		
	CW 7	3711-000826	CONNECTOR				DR 58	2001-000281	CARBON RESISTOR		
	C101A	2401-000795	E.CAPACITOR				DR 59	2001-000281	CARBON RESISTOR		
	C111B	2201-000432	C.CAPACITOR				DR 60	2001-000281	CARBON RESISTOR		
	C120A	2401-000795	E.CAPACITOR				DR 61	2001-000429	CARBON RESISTOR		
	C124A	2301-000456	M.CAPACITOR				FMR 1	2001-000273	CARBON RESISTOR		
	C201A	2202-000797	C.CAPACITOR				FMR 2	2001-000273	CARBON RESISTOR		
	DR 1	2001-000666	CARBON RESISTOR				MB 1	3301-000297	FERRITE BEAD	3.6X1.2X5.7MM	
	DR 2	2001-000666	CARBON RESISTOR				MB 2	3301-000297	FERRITE BEAD	3.6X1.2X5.7MM	
	DR 3	2001-000666	CARBON RESISTOR				MC 1	2201-000247	C.CAPACITOR		
	DR 4	2001-000666	CARBON RESISTOR				MC 2	2201-000247	C.CAPACITOR		
	DR 5	2001-000666	CARBON RESISTOR				MC 4	2202-000797	C.CAPACITOR		
	DR 6	2001-000666	CARBON RESISTOR				MC 5	2202-000797	C.CAPACITOR		
	DR 7	2001-000666	CARBON RESISTOR				MC 6	2202-000797	C.CAPACITOR		
	DR 8	2001-000666	CARBON RESISTOR				MC 8	2202-000797	C.CAPACITOR		
	DR 9	2001-000666	CARBON RESISTOR				MC 9	2202-000780	C.CAPACITOR		
	DR 10	2001-000666	CARBON RESISTOR				MC 10	2202-000780	C.CAPACITOR		
	DR 11	2001-000666	CARBON RESISTOR				MC 11	2202-000780	C.CAPACITOR		
	DR 12	2001-000281	CARBON RESISTOR				MC 12	2202-000780	C.CAPACITOR		
	DR 13	2001-000281	CARBON RESISTOR				MC 13	2202-000825	C.CAPACITOR		
	DR 14	2001-000281	CARBON RESISTOR				MC 15	2202-000851	C.CAPACITOR		
	DR 15	2001-000666	CARBON RESISTOR				MC 16	2202-000781	C.CAPACITOR		
	DR 16	2001-000666	CARBON RESISTOR				MC 17	2202-000231	C.CAPACITOR		
	DR 17	2001-000666	CARBON RESISTOR				MC 18	2201-000247	C.CAPACITOR		
	DR 18	2001-000666	CARBON RESISTOR				MC 19	2201-000247	C.CAPACITOR		
	DR 19	2001-000666	CARBON RESISTOR				MC 20	2201-000423	C.CAPACITOR		
	DR 20	2001-000666	CARBON RESISTOR				MC 21	2202-000797	C.CAPACITOR		
	DR 21	2001-000666	CARBON RESISTOR				MC 25	2202-000780	C.CAPACITOR		
	DR 22	2001-000666	CARBON RESISTOR				MC 26	2202-000780	C.CAPACITOR		
	DR 23	2001-000666	CARBON RESISTOR				MCE 1	2401-001511	E.CAPACITOR		
	DR 24	2001-000666	CARBON RESISTOR				MCE 3	2401-001511	E.CAPACITOR		
	DR 25	2001-000666	CARBON RESISTOR				MCE 4	2401-001511	E.CAPACITOR		
	DR 26	2001-000666	CARBON RESISTOR				MCE 5	2401-000244	E.CAPACITOR		
	DR 27	2001-000666	CARBON RESISTOR				MCE3A	2401-000244	E.CAPACITOR		
	DR 28	2001-000666	CARBON RESISTOR				MCE3D	2401-000244	E.CAPACITOR		
	DR 29	2001-000666	CARBON RESISTOR				MC21A	2202-000797	C.CAPACITOR		
	DR 30	2001-000666	CARBON RESISTOR				MC21B	2202-000797	C.CAPACITOR		
	DR 31	2001-000666	CARBON RESISTOR				MC8A	2201-000504	C.CAPACITOR		
	DR 32	2001-000666	CARBON RESISTOR				MC8B	2202-000797	C.CAPACITOR		
	DR 33	2001-000666	CARBON RESISTOR				MC8V	2202-000797	C.CAPACITOR		
	DR 34	2001-000666	CARBON RESISTOR				MC9A	2202-000780	C.CAPACITOR		
	DR 35	2001-000666	CARBON RESISTOR				MC9V	2202-000797	C.CAPACITOR		
	DR 36	2001-000666	CARBON RESISTOR				MIC 1	AH09-00072A	IC		
	DR 37	2001-000666	CARBON RESISTOR				MIC 2	AJ11-12001A	IC-SRAM		
	DR 38	2001-000666	CARBON RESISTOR				MIC 3	1204-001370	IC		
	DR 39	2001-000666	CARBON RESISTOR				MIC 4	1204-001723	IC	W9923QF	
	DR 40	2001-000666	CARBON RESISTOR				MIC 5	AH14-10004R	IC		
	DR 41	2001-000281	CARBON RESISTOR				MIC 6	AH11-12001A-1	IC	MHB416256A-35J	
	DR 42	2001-000666	CARBON RESISTOR				ML 1	2701-000150	INDUCTOR		
	DR 43	2001-000666	CARBON RESISTOR				ML 2	2701-000197	INDUCTOR		
	DR 44	2001-000666	CARBON RESISTOR				ML 3	2701-000146	INDUCTOR		
	DR 45	2001-000281	CARBON RESISTOR				MQ 1	0504-000117	DIGI TRANSISTOR		

■ Electrical parts list (VCD board)

Block No. 05

△	Item	Parts number	Parts name	Remarks	Area
	MQ 2	0501-000610	TRANSISTOR		
	MQ1A	1203-001543	IC	78R33	
	MQ10B	0501-000010	TRANSISTOR		
	MR 11	2001-000522	CARBON RESISTOR		
	MR 25	2001-000429	CARBON RESISTOR		
	MR 33	2001-000429	CARBON RESISTOR		
	MR 34	2001-000429	CARBON RESISTOR		
	MR 35	2001-000429	CARBON RESISTOR		
	MR 36	2001-000429	CARBON RESISTOR		
	MR 37	2001-000429	CARBON RESISTOR		
	MR 39	2001-000429	CARBON RESISTOR		
	MR 40	2001-000290	CARBON RESISTOR		
	MR 51	2001-000969	CARBON RESISTOR		
	MR 52	2001-000924	CARBON RESISTOR		
	MR 53	2001-000325	CARBON RESISTOR		
	MR 57	2001-000435	CARBON RESISTOR		
	MR10B	2001-000995	CARBON RESISTOR		
	MR23A	2001-000734	CARBON RESISTOR		
	MR24A	2001-000734	CARBON RESISTOR		
	MR52A	2001-000591	CARBON RESISTOR		
	MR53A	2001-000660	CARBON RESISTOR		
	MX 1	2801-001423	CRYSTAL		
	MX 2	2801-003130	CRYSTAL		
	MZ 10	0403-000344	ZENER DIODE		
	PR 20	2001-000734	CARBON RESISTOR		
	PR 50	2001-001004	CARBON RESISTOR		
	R 101	2001-000864	CARBON RESISTOR		
	R 102	2001-000864	CARBON RESISTOR		
	R 103	2001-000864	CARBON RESISTOR		
	R 104	2001-000864	CARBON RESISTOR		
	R 105	2001-000319	CARBON RESISTOR		
	R 106	2001-000319	CARBON RESISTOR		
	R 107	2001-001006	CARBON RESISTOR		
	R 108	2001-000302	CARBON RESISTOR		
	R 110	2001-000411	CARBON RESISTOR		
	R 112	2001-000989	CARBON RESISTOR		
	R 113	2001-000548	CARBON RESISTOR		
	R 114	2001-000522	CARBON RESISTOR		
	R 115	2001-000591	CARBON RESISTOR		
	R 116	2001-000009	CARBON RESISTOR		
	R 117	2001-000331	CARBON RESISTOR		
	R 118	2001-000435	CARBON RESISTOR		
	R 119	2001-000319	CARBON RESISTOR		
	R 120	2001-000864	CARBON RESISTOR		
	R 121	2001-000008	CARBON RESISTOR		
	R 123	2001-000702	CARBON RESISTOR		
	R 124	2001-000319	CARBON RESISTOR		
	R 125	2001-000273	CARBON RESISTOR		
	R 126	2001-000864	CARBON RESISTOR		
	R 127	2001-000319	CARBON RESISTOR		
	R 128	2001-000273	CARBON RESISTOR		
	R 129	2001-000786	CARBON RESISTOR		
	R 131	2001-000429	CARBON RESISTOR		
	R 132	2001-000290	CARBON RESISTOR		
	R 133	2001-001000	CARBON RESISTOR		
	R 201	2001-000281	CARBON RESISTOR		
	R 202	2001-000435	CARBON RESISTOR		
	R 204	2001-000429	CARBON RESISTOR		
	R 206	2001-000429	CARBON RESISTOR		
	R 207	2001-000429	CARBON RESISTOR		
	R 208	2001-000429	CARBON RESISTOR		
	R 209	2001-000429	CARBON RESISTOR		
	R 210	2001-000515	CARBON RESISTOR		

△	Item	Parts number	Parts name	Remarks	Area
	R 211	2001-000281	CARBON RESISTOR		
	R 212	2001-000281	CARBON RESISTOR		
	R 213	2001-000281	CARBON RESISTOR		
	R 803	2001-000429	CARBON RESISTOR		
	R 804	2001-000429	CARBON RESISTOR		
	R 805	2001-000429	CARBON RESISTOR		
	R 806	2001-000429	CARBON RESISTOR		
	R110A	2001-000850	CARBON RESISTOR		
	R210A	2001-000734	CARBON RESISTOR		
	R210B	2001-000734	CARBON RESISTOR		
	SC 45	2202-000797	C.CAPACITOR		
	SC 46	2202-000780	C.CAPACITOR		
	SC 47	2202-000780	C.CAPACITOR		
	SC 48	2202-000780	C.CAPACITOR		
	SC 49	2202-000780	C.CAPACITOR		
	SCE17	2401-001893	E.CAPACITOR		
	SCE7A	2401-001893	E.CAPACITOR		
	SIC 1	1204-001799	IC		
	SIC 2	0904-001524	IC		
	SIC 3	1003-001100	IC		
	SIC 4	1003-001162	IC		
	SR 0	2001-000429	CARBON RESISTOR		
	SR 1	2001-000429	CARBON RESISTOR		
	SR 3	2001-000429	CARBON RESISTOR		
	SR 4	2001-000429	CARBON RESISTOR		
	SR 23	2001-000429	CARBON RESISTOR		
	SR 38	2001-000734	CARBON RESISTOR		
	SR 39	2001-000734	CARBON RESISTOR		
	SR 41	2001-000281	CARBON RESISTOR		
	SR 42	2001-000734	CARBON RESISTOR		
	SR4A	2001-000429	CARBON RESISTOR		
	SR40A	2001-000429	CARBON RESISTOR		
	SR42A	2001-000429	CARBON RESISTOR		
	SW 1	3708-001388	CONNECTOR		
	SW 2	3711-001061	CONNECTOR		
	SX 1	2801-001423	CRYSTAL		
	SZD 1	0403-000361	DIODE-ZENER		
	SZD 2	0403-000354	DIODE-ZENER		

< MEMO >

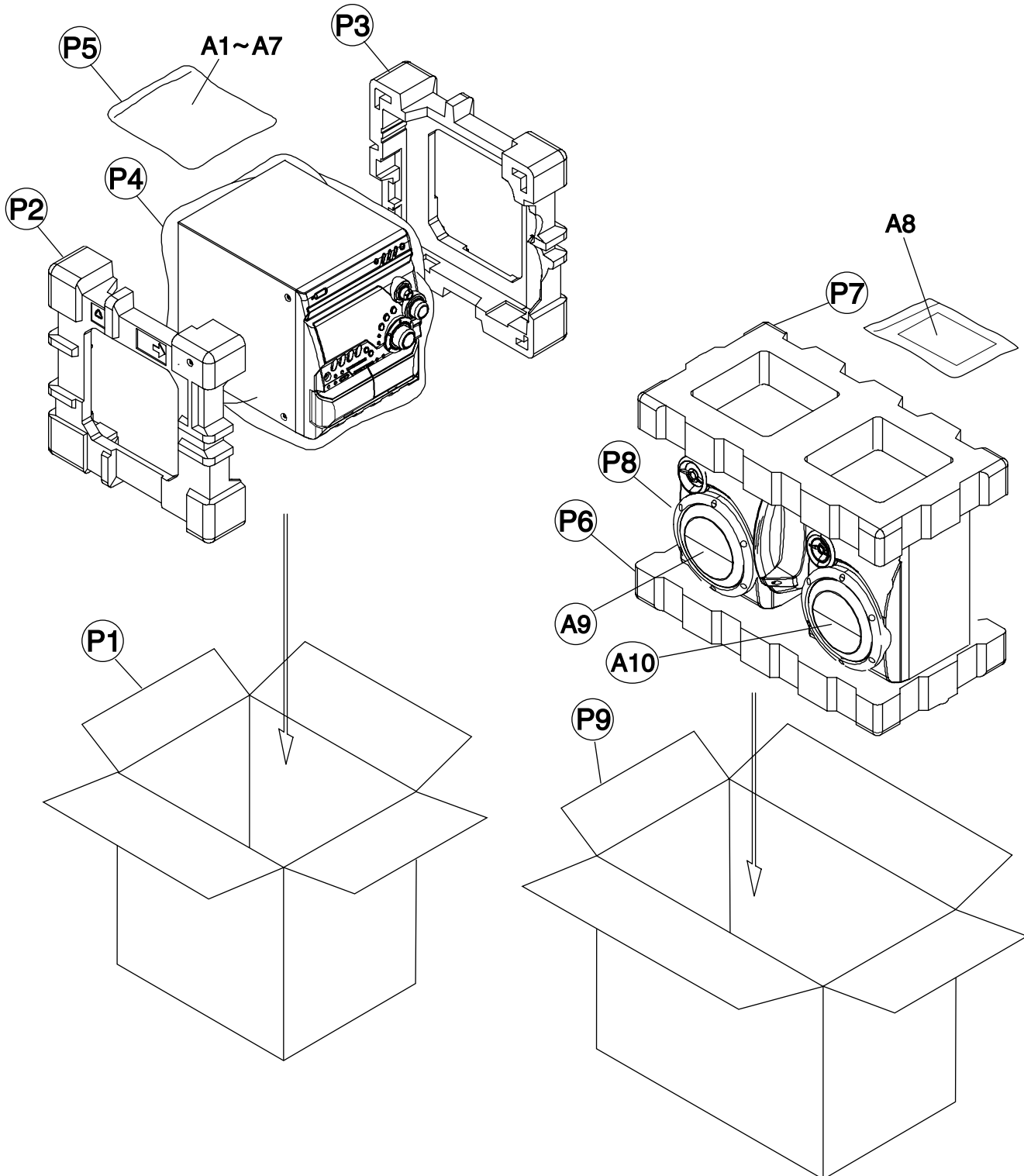
Packing materials and accessories parts list

Block No.

M	3	M	M
---	---	---	---

Block No.

M	5	M	M
---	---	---	---



■ Parts list (Packing)

Block No. M3MM

△	Item	Parts number	Parts name	Q'ty	Description	Area
	P 1	AH69-00351G	PACKING CASE	1	MX-G65V	
		AH69-00351H	PACKING CASE	1	MX-G68V	
	P 2	AH69-00343A	CUSHION-L	1	FOR SET	
	P 3	AH69-00344A	CUSHION-R	1	FOR SET	
	P 4	AH69-30012T	POLY BAG	1	FOR SET	
	P 5	18654-101-00	POLY BAG	1	FOR ACCESSORIES	
	P 6	AH81-00374U	CUSHION-BOTTOM	1	FOR SPEAKER	
	P 7	AH81-00374T	CUSHION-TOP	1	FOR SPEAKER	
	P 8	AH81-00373P	POLY BAG	2	FOR SPEAKER	
	P 9	AH81-00373S	PACKING-CASE	1	SP-MXG65V	UX
		AH81-00374Z	PACKING-CASE	1	SP-MXG68V	US
		AH81-00374Y	PACKING-CASE	1	SP-MXG65V	US
		AH81-00373T	PACKING-CASE	1	SP-MXG68V	UX

■ Parts list (Accessories)

Block No. M5MM

△	Item	Parts number	Parts name	Q'ty	Description	Area
	A 1	AH68-00900A	I/B MX-G65V/68V	1	ARA	US
		AH68-00900B	I/B MX-G65V/68V	1	ARA	UX
		AH68-00900B	I/B MX-G65V/68V	1	ENG CHI(PEKIN)	UX
		AH68-00900A	I/B MX-G65V/68V	1	ENG CHI(PEKIN)	US
	A 2	AH59-00125B	REMOCON-ASSY	1	RM-SMXG65V(G65V)	
	A 3	AH38-10001A	FM-WIRE	1		
	A 4	AH42-20001S	LOOP ANTENNA	1		
	A 5	-----	BATTERY	2		
△	A 6	3721-000117	CONVERSION PLUG	1		US
△		3721-001045	CONVERSION PLUG	1		UX
	A 7	AH39-40001T	VIDEO CABLE	1		
	A 8	LVT0731-001A	I/B SP-MXG68/65	1	ARA	
		LVT0731-001A	I/B SP-MXG68/65	1	ENG CHI(PEKIN)	
	A 9	MXG68K-SPBOX-L	SPEAKER BOX	1	MX-G68V	
		MXG65K-SPBOX-L	SPEAKER BOX	1	MX-G65V	
	A 10	MXG68K-SPBOX-R	SPEAKER BOX	1	MX-G68V	
		MXG65K-SPBOX-R	SPEAKER BOX	1	MX-G65V	